

BUTLER

Assembly Instructions
Style Number 5714

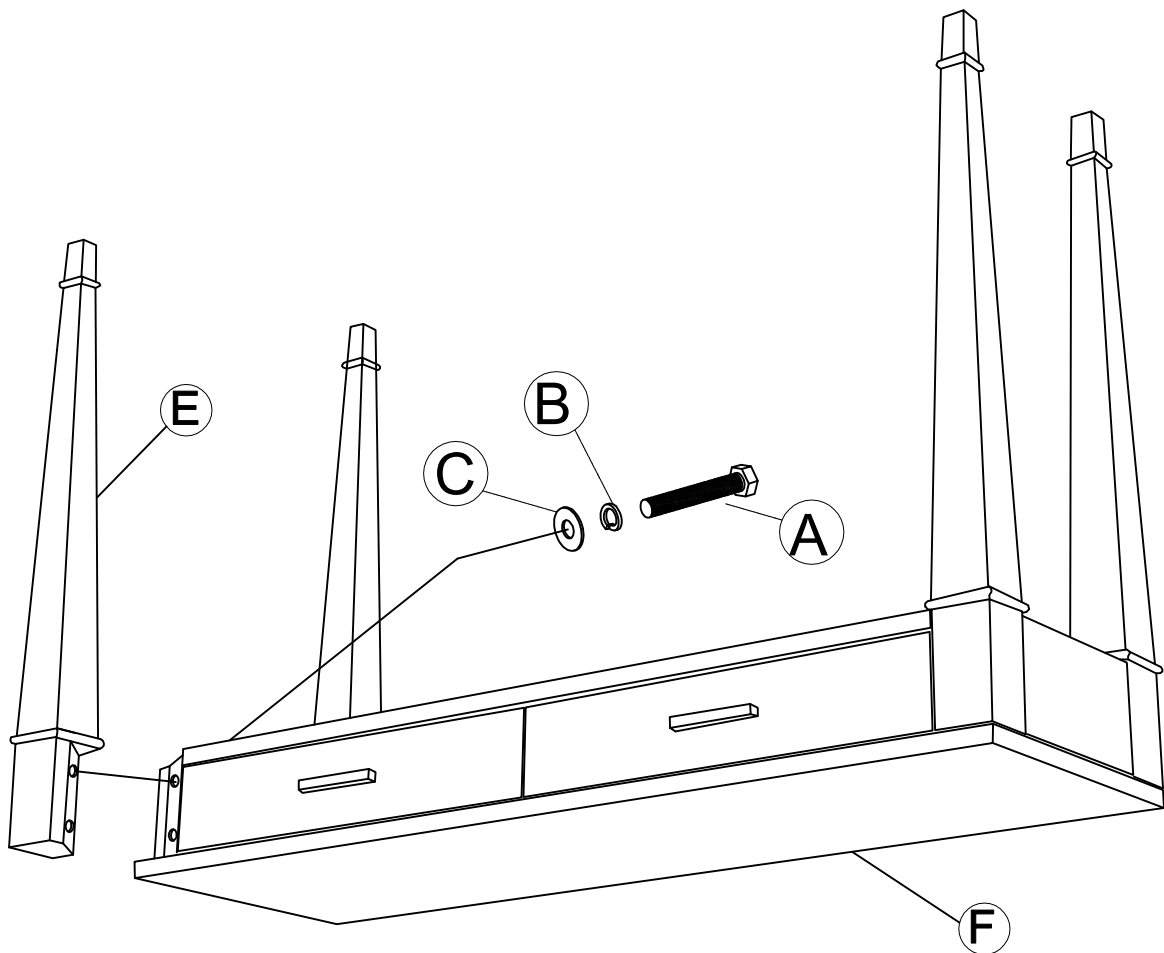
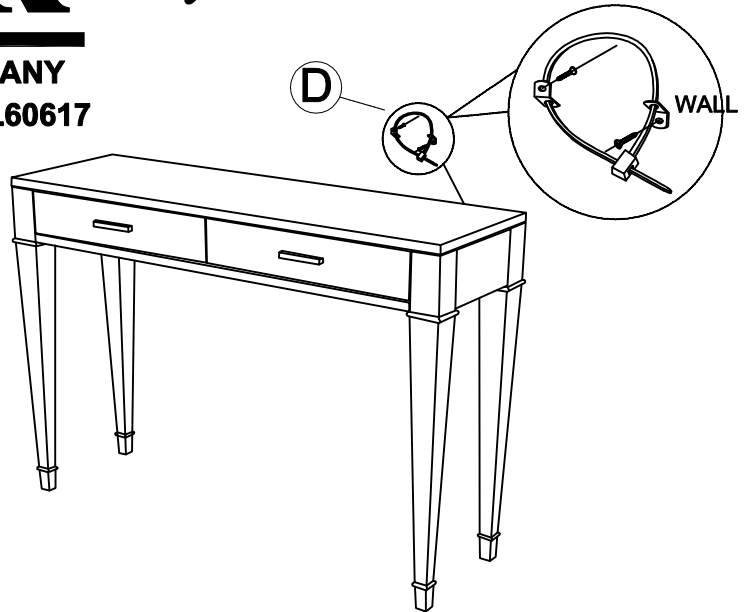
SPECIALTY COMPANY

8200 SOUTH CHICAGO AVE., CHICAGO, IL 60617

PACKAGED

- (A) 8- Bolt $\text{Ø}5/16 \times 2-1/4 \text{L}$
- (B) 8- Lock Washer $\text{Ø}5/16 \text{''}$
- (C) 8- Flat Washer $\text{Ø}5/16 \text{''}$
- (D) 1set- Anti-tipping kit.

- (E) 4- Legs
- (F) 1- Top



(*Caution:DO NOT OVERTIGHTEN

In any correspondence regarding this product, please include the complete Butler identification number located on the underside of the product.

We hope this table will be a useful and decorative addition to your home for years to come.

COPYRIGHT BUTLER SPECIALTY COMPANY, 10/2022